



The power for your life

UR12V-150AH

Specifications

Nominal Capacity

20 hour rate	(8.05A to 10.20V)	161Ah
10 hour rate	(15.40A to 10.20V)	154Ah
5 hour rate	(26.80A to 10.20V)	134Ah
1 C	(150A to 10.20V)	75Ah
3 C	(450A to 10.20V)	37.9Ah

Weight Approx. 47KG

Internal Resistance (at 1KHz) Approx. 3 mΩ

Maximum Discharge Current for 5 seconds: 780 A

Maximum Charging Current : 19.5A

Charging Methods at 25°C (77°F)

Cycle use:	
Charging Voltage	14.4 to 15.0V
Coefficient	-5.0mV/°C/cell
Standby use:	
Float Charging Voltage	13.5 to 13.8V
Coefficient	-3.0mV/°C/cell

Operating Temperature Range

Charge	-15°C(5°F)	to	40°C(104°F)
Discharge	-15°C(5°F)	to	50°C(122°F)
Storage	-15°C(5°F)	to	40°C(104°F)

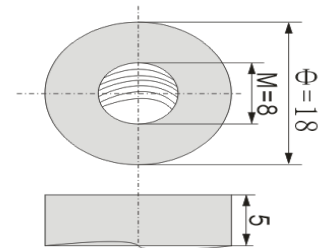
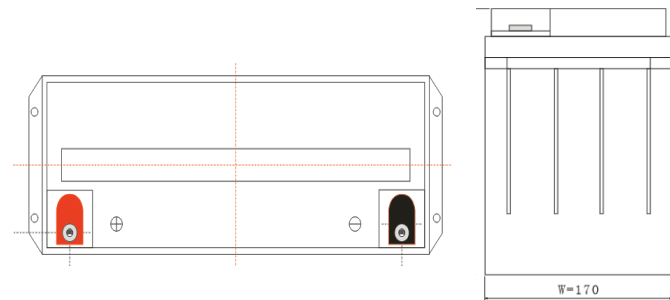
Charge Retention (shelf life) at 20°C (68°F)

1 month	92%
3 month	90%
6 month	80%

(Option: UL94 HB & UL94 V-0 flame retardant)

Terminal F4

Life Time 15Y

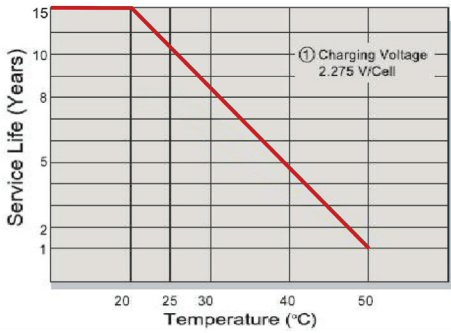


Dimensions

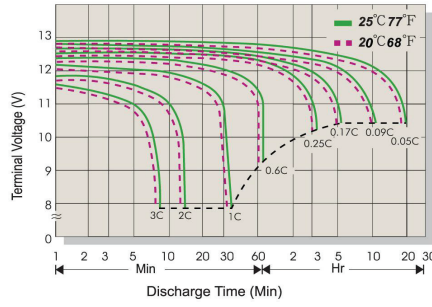
Length:	520mm (20.46inch)
Width:	170mm (6.73inch)
Height:	240mm (9.44inch)
Overall Height:	240mm (9.44inch)



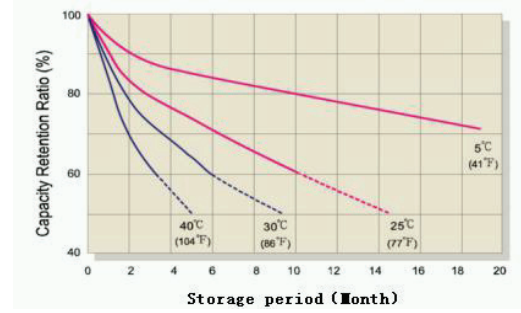
Tickle(or Float) Service Life



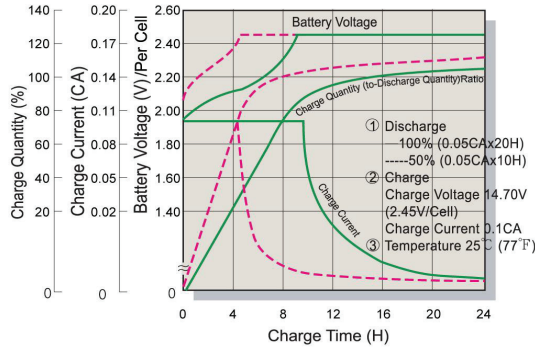
Terminal Voltage (V) and Discharge Time



Capacity Retention Characteristic



Battery Voltage and Charge Time for Cycle Use



Cycle Service Life

PERFORMANCE DATA

Discharge Rates in Watts to Various End Voltages at 25°C (77°F)

end voltage	5 min	10 min	15 min	30 min	45 min	1 h	2 h	3 h	4 h	5 h	6 h	8 h	10 h	20 h
9.6	5004	3696	2958	1848	1362	1080	612	437.4	345	287.4	246.6	196.8	164.4	97.8
9.9	4878	3624	2922	1830	1350	1080	606	435	343.8	286.2	246	196.2	163.8	96.6
10.02	4794	3594	2898	1824	1350	1074	606	434.4	342.6	285.6	245.4	195.6	163.2	96
10.2	4662	3546	2862	1812	1338	1074	606	432.6	342	285	244.8	195	163.2	95.4
10.5	4434	3396	2748	1776	1326	1062	606	429.6	340.2	284.4	244.2	194.4	162	94.2
10.8	4146	3198	2634	1740	1302	1050	598.2	425.4	336	280.2	240.6	192	160.8	93.6
11.1	3216	2610	2190	1494	1146	930	538.8	388.8	309	259.2	222.6	177	148.2	88.8

Discharge Rates in Amperes to Various End Voltages at 25°C(77°F)

end voltage	5 min	10 min	15 min	30 min	45 min	1 h	2 h	3 h	4 h	5 h	6 h	8 h	10 h	20 h
9.6	466	335	266	162	118	93.7	52.1	37.8	29.7	24.6	21.1	16.8	13.9	8.28
9.9	446	324	259	159	116	92.4	51.5	37.4	29.4	24.5	21	16.6	13.8	8.15
10.02	429	316	252	156	115	91.4	51.1	37.1	29.2	24.3	20.8	16.6	13.8	8.09
10.2	418	311	248	155	114	90.8	50.8	36.9	29.1	24.2	20.7	16.5	13.7	8.05
10.5	390	293	235	150	111	89.2	50.2	36.4	28.7	24	20.5	16.3	13.6	7.95
10.8	357	272	222	145	108	86.7	49.1	35.6	28.1	23.4	20.1	16	13.3	7.87
11.1	268	214	179	121	92.6	75.9	44.3	32.6	25.8	21.6	18.5	14.8	12.3	7.47

